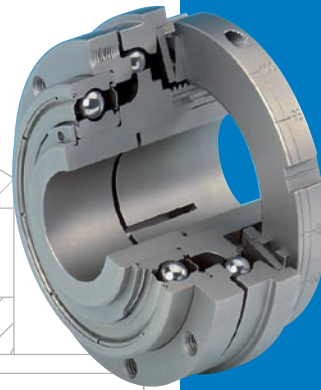


DELIVERY PROGRAMME

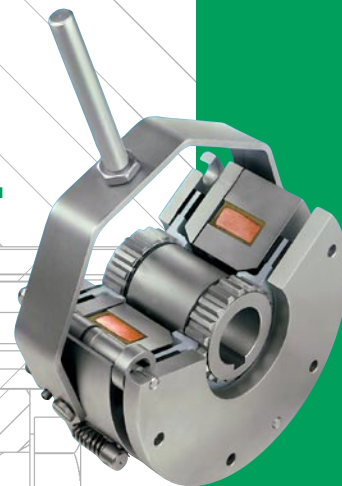
Safety Clutches



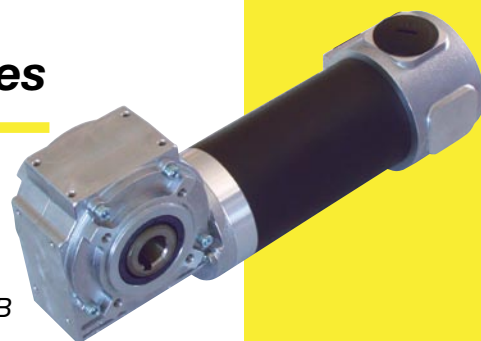
Backlash-free Shaft Couplings



Safety Brakes



DC Drives



mayr[®]

your reliable partner

L7.V07.GB



Market Position

mayr® offer the world's most advanced technology in the fields of safety clutches, servo couplings and safety brakes. Many years of experience and competence in the development of application-optimized solutions have made our company market leaders for safety clutches. A large number of renowned machine manufacturers worldwide trust in the reliability of our high-quality drive and control components and in our complete drive solutions.

World-wide Representation

Eight subsidiaries in Germany, and eight branch firms in France, Switzerland, Italy, England, the USA, Poland, China and Singapore together with approximately 20 representatives spread across all five continents ensure that you and your customers are provided with local representation and swift customer service nearly all over the world.

Total Quality Management

For mayr® the term "quality" is not only limited to the product. Our professional, competent consultation service together with fast and reliable deliveries have decisively contributed to our current market position. Certification of our quality management confirms the quality-consciousness of our colleagues at every level of the company. Our management system is certified according to **DIN EN ISO 9001:2000 (Quality)** and **DIN EN ISO 14001 (Environment)** and complies with the **OHSAS 18001:1999** and **OHRIS** demands, the environmental and industrial safety concepts of the Bavarian Ministry of State for environment, health and consumer protection.



your reliable partner

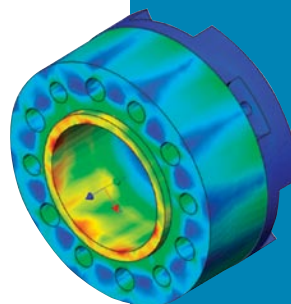
Online Contact

www.mayr.de offers you detailed information 24 hours per day, 365 days per year without delay. You can find not only the up-to-date catalogues, technical documentation and information on the company, but also CAD-files on our products for cost-saving design allowing you to select and order online.



Innovations for Your Success

We at *mayr*[®], known for our innovative and economic solutions, set the standards for power transmission. Our claim of always being able to offer better solutions has made our business well-known worldwide. Our uncompromising commitment to quality, together with close co-operation with our customers, is the secret of our success. With its highly-qualified engineers and the most modern resources in its design and development departments, our company provides our customers with the most effective solutions.



New Services Set Standards

We are constantly improving our service in order to co-operate with your company as effectively as possible. For example, you are welcome to make use of our rapid delivery service for basic products, unique to the industry, or our CD-ROM with its product selection programme.



Our Company



mayr[®]
your reliable partner

Safety Clutches

Protect your machines against damage, loss of production and downtimes. With EAS®-clutches your machine is completely safe.

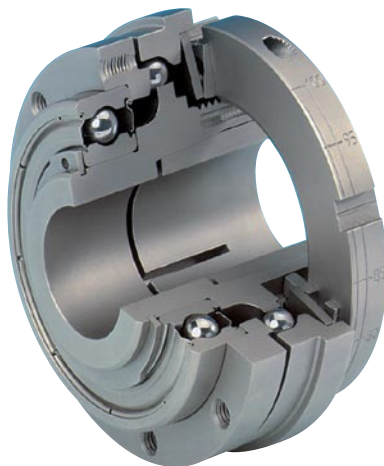


EAS®-Compact® / EAS®-NC / EAS®-smartic®

Positive, absolutely backlash-free torque limiting clutch

0,65 to 4,000 Nm

- Low mass moment of inertia for dynamic drives
- High switch-off and repetitive accuracy
- Long service life
- Maintenance free
- Backlash-free torque transmission throughout the complete service life
- Patented graduated adjusting nut for easy and fast torque adjustment



EAS®-Compact®

EAS®-smartic®



EAS®-Sp / EAS®-Sm

Residual torque free disconnecting torque limiting clutch with ON/OFF function

4 to 2,500 Nm

- Pneumatically or electrically controllable torque
- Excellent machine protection due to variable torque to suit process
- Backlash-free synchronous ON/OFF drive switching

Safety clutches prevent overload damage and expensive downtimes

As market and technology leader for safety clutches we offer a comprehensive service spectrum and the widest programme of overload elements for torque and force limitation.

EAS®-elements

Load disconnecting protection for high torque

250 to 500,000 Nm

- Ideal basic module for high-torque clutches
- Can be integrated and retrofitted in existing constructions
- Competitive price alternatives for large clutches
- Optimum protection element for heavy and fast running drives in connection with large flywheel masses



EAS®-
elements

EAS®-axial

Exact limitation of tensile and compressive forces

75 to 300,000 N

- Overload protection for linear-moved masses
- Infinitely adjustable release force
- Backlash-free force transmission with high axial rigidity
- Selectable free movement in tensile and compressive directions



ROBA®-
slip hubs

ROBA®-slip hubs

Load holding friction type torque limiting clutch

2 to 50,000 Nm

- Easy adaptation to various operational requirements
- Enclosed robust constructional design
- Easy torque adjustment by means of setting diagrams
- High quality, low wear friction material

safety clutches

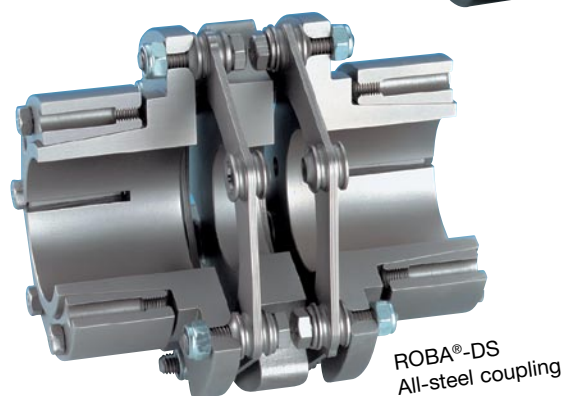
We offer
the best
and most
attractive
mechanical
package.
Indicate
your drive
requirements
and we will
ensure the
security of
your machines.

mayr®
your reliable partner

Backlash-free Shaft Couplings

Backlash-free Shaft Couplings

For the correct selection of high-speed, dynamic or reversing precision drives and shaft couplings. Only backlash-free couplings are able to fulfil these requirements.



smartflex®

The perfect servo coupling

16 to 700 Nm

- Extremely price competitive
- Up to three times the misalignment capabilities of traditional all-steel couplings
- Modular components provide immediate availability
- Excellent operational security due to increased misalignment capability
- Easy and reliable hub/shaft securement enables fast assembly

Highly accurate torque transmission without angular errors

Our range of backlash-free shaft couplings is adapted to the different requirements of modern electric drives. Contact us and we will select the coupling best suited to your drive.

ROBA®-ES

Damping backlash-free shaft coupling

4 to 1,040 Nm

- Compensates for shaft misalignment
- Damping of critical vibrations
- Variable, selectable damping
- Easy, plug-type blind assembly

ROBA®-DS

Torsionally rigid, backlash-free all-steel coupling

35 to 24,000 Nm

- Compensates for shaft misalignment
- Misalignment capabilities up to 3°
- High capacity range
- Backlash-free up to maximum torque
- Shock-proof and temperature resistant
- Maintenance and wear free
- Extremely robust shaft coupling
- Very high torsional rigidity

EAS®-control-DS

Low cost torque-measuring coupling

190 to 1,600 Nm

- Backlash-free shaft coupling with integral torque measurement
- Continuous, contactless torque measurement for optimum production
- Robust and reliable machine component
- Easy electrical connection and mechanical assembly
- Backlash-free torque transmission with high torsional rigidity



smartflex® in servo axis



Backlash-free Shaft Couplings

We have a
backlash-free
coupling
for every
application
which optimally
harmonises
with your drive
system.

mayr®
your reliable partner

Safety Brakes

Spring applied safety brakes offer high operational security for all applications, protecting personnel, machines and equipment, reliably braking for positioning or holding duties or for sudden machine stops for EMERGENCY STOP or power failure.



ROBA-stop®-S



ROBA-stop®-silenzio®

ROBA-stop® Standard

Multi-functional all-round safety brake

Braking torques from 1,1 to 1,250 Nm

- Designs as positioning brake, holding brake, tacho brake and peak load brake
- Sensitive braking torque adjustment
- Easy wear adjustment

ROBA-stop®-M

Robust, economic motor brake

Braking torques from 0,7 to 1600 Nm

- Completely enclosed design (protection IP54 and IP65)
- Low wear
- Very easy assembly

ROBA-stop®-S

Waterproof, robust monobloc brake

Braking torques from 100 to 800 Nm

- Completely enclosed and sealed design (protection IP67)
- All components are corrosion protected
- Suitable for extreme environmental conditions

ROBA®-topstop®

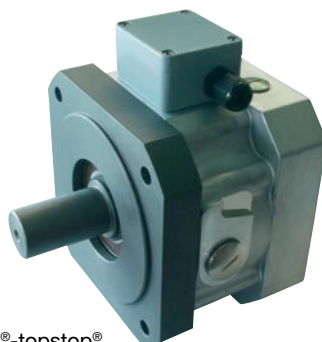
Safe brake system for vertical axes

Braking torques from 12 to 400 Nm

- Reliable personal protection in all operating modes
- Maximum safety due to redundancy and integrated functional monitoring
- Can be retrofitted to existing axes



ROBA-stop®-M



ROBA®-topstop®

Spring applied safety brakes control your machines

We offer an extremely large brake range and are able to develop technically integrated and cost attractive solutions for your application.

ROBA-stop®-silenzio®

Exceptionally quiet safety brake for elevator, theatre and stage applications

Braking torques from 3 to 4,300 Nm

- Very easy installation
- Consistently low noise levels
- Limit switch attachment for operational monitoring (optional)

ROBA-stop®-Z

Double security elevator brake

Braking torques from 35 to 2,375 Nm

- Highest security via two independent braking circuits
- Extremely compact design
- Ideal brake for hoist gears and drives
- Silent operation by damping the switching noise

ROBA®-diskstop®

Compact, minimum-noise operation disk brake

Braking torques dependent on brake size, brake disk diameters and number of brakes

- Cost effective solution for large braking torques
- Quiet operation due to noise damping
- Mechanical and electrical release
- Complies with EN 81 when two or more brakes are used

ROBATIC®/ROBA®-quick/ROBA®-takt

Reliable energise to engage electro-magnetic pole face clutches and brakes

Torque or braking torques from 10 to 640 Nm

- High reliability and operational security
- High switching frequencies due to short switching times
- Clutch brake units for cyclic operation



We have become the technology leaders in the field of safety brakes by developing optimised solutions for a wide product range.

Safety Brakes



ROBA®-diskstop®

mayr®
your reliable partner

DC Drives

tendo[®]-PM motors have a remarkable commutation system with a generously dimensioned commutator, a high number of commutator disks and brushes with large surface areas. This technical “luxury“ distinguishes the tendo[®]-PM motors by long service life and smooth running.



tendo[®]-PM

Superior DC motor

- Safe torque transmission due to generously dimensioned gearboxes
- Quiet running due to backlash-free bearings and unique commutation
- Low noise operation
- Low torque ripple and high speed stability
- Suitable for application in critical conditions due to protection IP54 or IP65

tendo[®]-SC

1Q- and 4Q transistor controllers

Characteristic of *tendo[®]-PM* motors is that the speed runs parallel to the armature voltage, and the torque to the armature current. This means that the motors can be controlled extremely effectively without high expenditure. We offer you different DC supply units for this task:

- 1Q transistor controller (drive in one direction)
- 4Q transistor controller (drive and braking in both directions)

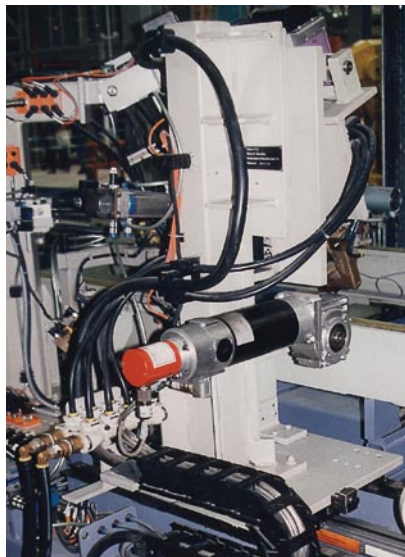
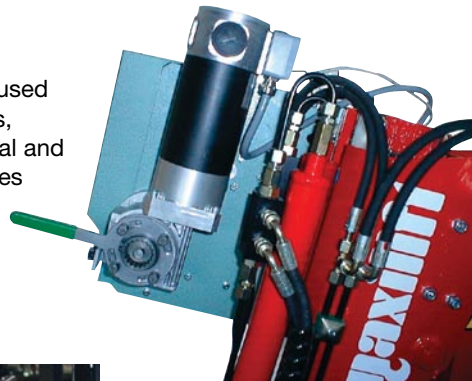
Application-optimised solutions

In addition to our standard designs, the *tendo[®]-PM* modular system offers flexibility for solutions specifically tailored to your application. Our flexible team will develop an economic solution for you within a short time, including the manufacture of a suitable sample drive.



tendo®-PM Drives work well in numerous mobile and industrial applications

tendo®-PM motors can be used in critical conditions such as, for example, in environmental and water-measuring technologies or in measuring systems for meteorology.



Production lines for the production of sheet metal components place high demands on machines. Only high-quality drives such as the **tendo®-PM** motors can cope here. Their quiet running and excellent synchronizing characteristics are, for example, responsible for the high quality of welding seams.

DC motors are suitable for application in mobile units, for example as hose reel drive on fire engines. On such “outdoor” applications, the motors are often directly confronted with dirt and water – no problem for the closed and sealed **tendo®-PM** motors. Standard DC motors are not suitable here due to their open construction.



DC Drives are still the superior drive concept in some ranges. In mobile application, for example, when the drives are operated via the electrical system of a vehicle, there is no economic alternative. But tendo®-PM drives work also satisfactorily in numerous industrial applications.

DC Drives

mayr®
your reliable partner

Worldwide representation

Headquarters

Chr. Mayr
GmbH + Co. KG
Eichenstraße 1
87665 Mauerstetten
Tel.: 49-83 41/8 04-0
Fax: 49-83 41/804421
info@mayr.de
http://www.mayr.de

Great Britain Mayr Transmissions Ltd.

Valley Road,
Business Park
Keighley, BD21 4LZ
West Yorkshire
Tel.: 0 15 35/66 39 00
Fax: 0 15 35/66 32 61
sales@mayr.co.uk

Italy Mayr Italia S.r.l.

Viale Veneto, 3
35020 Saonara (PD)
Tel.: 0 49/8 79 10 20
Fax: 0 49/8 79 10 22
info@mayr-italia.it

France Mayr France S.A.

Z.A.L. du Minopole
BP 16
62160 Bully-Les-Mines
Tel.: 03.21.72.91.91
Fax: 03.21.29.71.77
contact@mayr.fr

Switzerland Mayr Kupplungen AG

Tobelackerstrasse 11
8212 Neuhausen
am Rheinfall
Tel.: 0 52/6 74 08 70
Fax: 0 52/6 74 08 75
info@mayr.ch

USA

Mayr Corporation
4 North Street
Waldwick
NJ 07463
Tel.: 2 01/4 45-72 10
Fax: 2 01/4 45-80 19
info@mayrcorp.com

Singapore

Mayr Transmission (S)
No. 8 Boon Lay Way
Unit 03-06, TradeHub 21
Singapore 609964
Tel.: 0065/6560 1230
Fax: 0065/6560 1000
info@mayr.com.sg

China

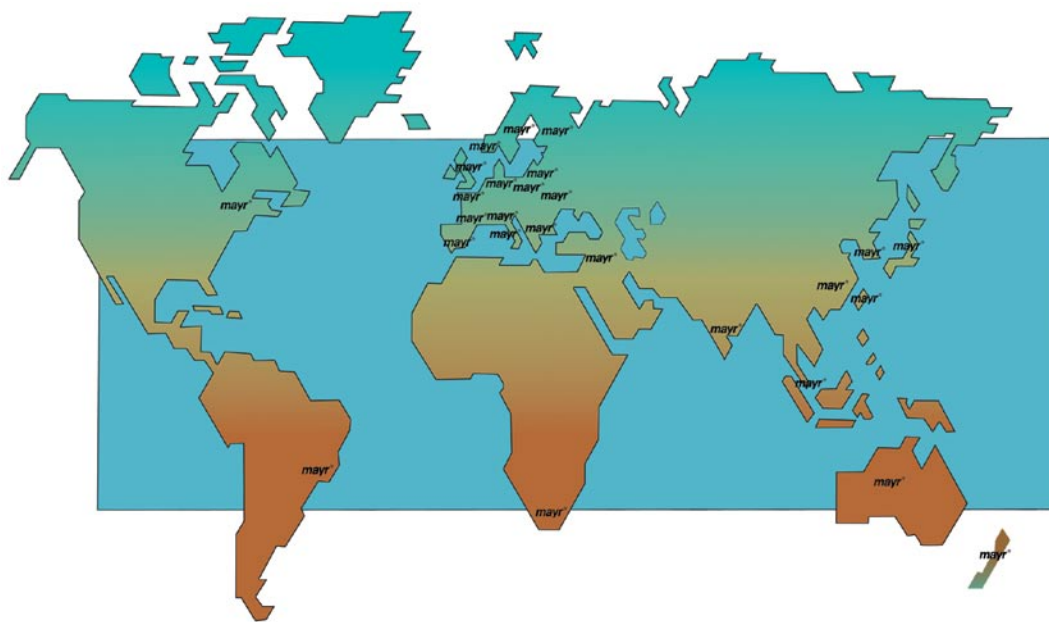
Mayr Zhangjiagang
Power Transmission Co., Ltd.
Changxing Road No. 16
215600 Zhangjiagang
Tel.: 05 12/5891-7565
Fax: 05 12/5891-7566
info@mayr-ptc.cn

South Korea

Mayr Korea Co. Ltd.
#1002, 10th fl., Nex Zone,
SK TECHNOPARK, 77-1,
SungSan-Dong, SungSan-
Gu, Changwon, Korea
Tel.: 055/262-4024
Fax: 055/262-4025
info@mayrkorea.com

Japan

MATSUI Corporation
2-4-7 Azabudai
Minato-ku
Tokyo 106-8641
Tel.: 03/35 86-41 41
Fax: 03/32 24 24 10
k.goto@matsui-corp.co.jp



Taiwan

German Tech Auto Co., Ltd.
No. 162, Hsin sheng Road,
Taishan Hsiang,
Taipei County 243,
Taiwan R.O.C.
Tel.: 02/2903 0939
Fax: 02/2903 0636
steve@zfgta.com.tw

India

National Engineering
Company (NENCO)
J-225, M.I.D.C. Bhosari
Pune 411 026
Tel.: 0202/7 47 45 29
Fax: 0202/7 47 02 29
nenco@nenco.org

Australia

Transmission Australia Pty. Ltd.
22 Corporate Ave,
3178 Rowville, Victoria
Australien
Tel.: 039/755 44 44
Fax: 039/755 44 11
info@transaus.com.au

South Africa

Torque Transfer
Private Bag 9
Elandsfontein 1406
Tel.: 011/345 80 00
Fax: 011/974 05 24
torque@bearings.co.za

Machine Tool

Applications in China
Dynamic Power
Transmission Co., Ltd.
Block 5th, No. 1699,
Songze Road,
201702 Shanghai, China
Tel.: 021/59 88 39 78
Fax: 021/59 88 39 79
dtcshanghai@online.sh.cn

Austria

Benelux States

Brazil

Canada

Czech Republic

Denmark

Finland

Greece

Hongkong

Hungary

Indonesia

Israel

Malaysia

New Zealand

Norway

Philippines

Poland

Romania

Russia

Slovakia

Slovenia

Spain

Sweden

Thailand

Turkey

Note:
If a country is not
shown, please refer
to headquarters or
our web site to be
advised of the
nearest responsible
agent.

mayr[®]

your reliable partner